

# UBZ-301 (5-50A)

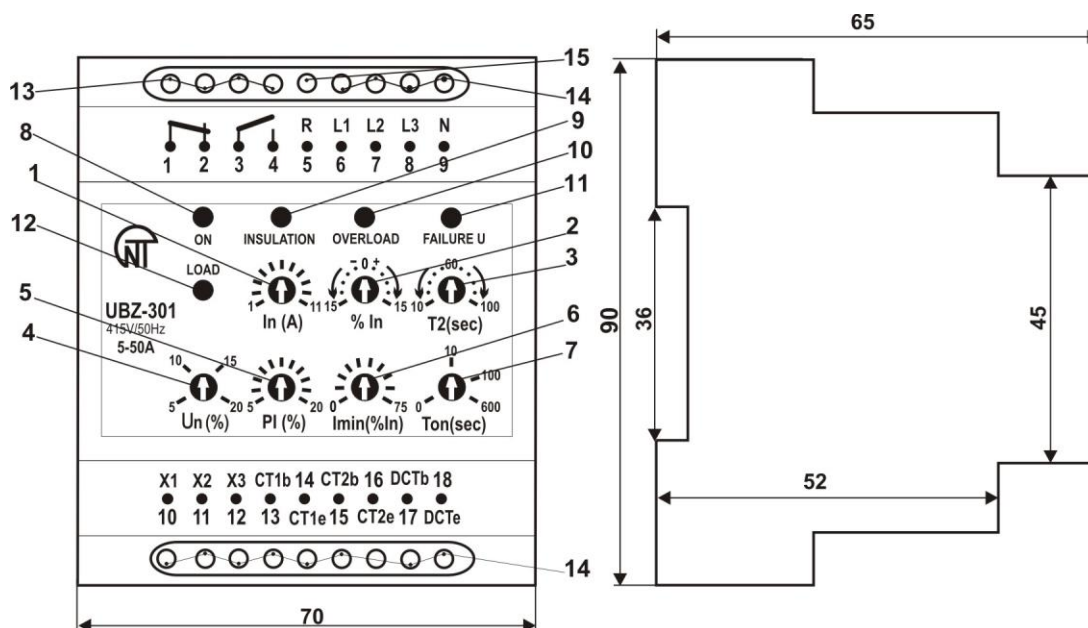
## UNIVERSAL INDUCTION MOTOR PROTECTION UNIT



## OPERATING MANUAL

Quality control system on the development and production complies with requirements  
ISO 9001:2015

### CONTROLS DESCRIPTION AND DIMENSIONS DIAGRAM



1. Control for nominal current setting,  $I_n(A)$ ;
2. Control for operating current setting,  $I_{op} (\% I_n)$ ;
3. Control for T2 (double overload trip) delay setting;
4. Combined trip adjustment control for  $U_{min}/U_{max}$ ;
5. Control for phase imbalance adjustment, PI;
6. Control for trip threshold for the minimum current,  $I_{min} (\% I_n)$ ;
7. Control for automatic reset delay setting,  $T_{on}$ ;
8. Green LED indicating for the mains voltage presence;
- 9,10,11. Red LEDs indicating faults for insulation, overload and U fault respectively;
12. Green LED indicating for load energization;
13. Output terminals;
14. Input terminals (10,11,12 are used for the connection with the BO-01 exchange unit);
15. Insulation monitoring terminal.

Review the Operating manual before using the unit.

Store the unit in the operating environment for 2 hours before switching to the mains.

Do not use abrasives or organic compounds for cleaning (spirit, gasoline, solvents, etc.).

**NEVER ATTEMPT TO REMOVE AND REPAIR THE UNIT.**



Some of the unit components may be live.

**NEVER ATTEMPT TO OPERATE THE UNIT WITH THE MECHANICAL DAMAGE OF THE HOUSING.**

Do not allow any water on the contacts of the connecting blocks or inner elements of the unit.

This unit is safe for use in case of compliance with operating rules.

## 1 APPLICATIONS

The UBZ-301 (5-50A) universal induction motor protection unit is designed for the continuous monitoring of the mains voltage parameters and for **RMS** phase/line currents of 3-Phase AC 400V/50Hz electrical equipment monitoring, primarily, of induction motors whose power is from 2.5 kW up to 25 kW, isolated neutral system included.

**The unit provides full and effective protection of electrical equipment by a magnetic starter (contactor) coil control.**

The unit isolates electrical equipment from the running system and/or disables its start. This is performed in the following cases:

1. when the mains voltage is of poor quality (unallowable voltage jumps, phase loss, incorrect phase sequence and phase «coincidence», phase/line voltage imbalance);
2. when mechanical overloads (symmetrical phase/line current overload) take place. The unit performs overload protection with a dependent time delay;
3. when phase/line current asymmetrical overloads induced by faults inside the motor occur. The unit performs protection from phase current imbalance and further disables an automatic reset;
4. when phase current asymmetry without overload occurs that is induced by the insulation fault inside the motor and/or the power cable;
5. when motor load is lost («dry stroke» for pumps). The unit provides the minimum start and/or operating current protection;
6. when insulation level to frame is abnormally low. The unit performs insulation level test before start and if the insulation is poor the start is disabled.
7. when stator winding ground-to-fault occurs during operation. The unit performs the ground leakage current protection.

### **The UBZ-301 (5-50A) provides:**

- a simple and accurate electromotor nominal current setting by nominal current standard scale;
- the electromotor operating current setting that differs from standard values;
- overload tripping with a dependent time delay (the current-time characteristic curve is plotted for a conventionally cold motor). The motor heat balance differential equation is being solved in the operation process. This approach enables to take account of the preceding electromotor status and to make a decision on heat overload presence with the maximum validity. This method also permits to allow for a motor start heating and to restrict (at the customer's option) amount of starts per unit time;
- shift of current-time characteristic curve along the current-axis and along time-axis as well;
- setting of trip thresholds for the minimum/the maximum voltage, line voltage & phase current imbalance, and also for automatic reset delay at the personal customer's discretion;
- fault type indication, the mains voltage presence indication, current range indication the unit is adjusted to, and load energization indication;
- the data exchange and transfer to the local computer network according to the RS-485 MODBUS record through the BO-01 exchange unit (BO-01 is supplied on order).

## 2 DESCRIPTION

The unit is a microprocessor-based digital device that provides a high degree of reliability and accuracy. The unit doesn't need any auxiliary supply because it retrieves its energy demand out of the measurement signal: it's self-powered by the voltage to be monitored. Simultaneous isolated independent monitoring for the mains voltage and phase currents permits to detect the type of occurring fault and to provide a different decision-making logic for each fault type. When the mains voltage faults occur the unit performs automatic load reset on return voltage parameters to normal operating conditions. If a fault is induced by abnormal condition inside the motor (phase current imbalance at the symmetrical mains voltage, leakage current presence etc.) restart is disabled.

The unit is stocked with three toroidal current transducers. Two of them are the phase/line current transducers (TT1, TT2), power phase cables are pulled through them. The third transducer is the differential current transducer (DCT) that has an enlarged diameter, because three power phase cables are pulled

through it. By the **6, 7, 8, 9** terminals the unit is connected in parallel to the mains supply to be monitored. The unit output is provided with N.O. and N. C. contacts (the **1, 2, 3, 4** terminals). The output **3-4** terminals are connected in series with the starter coil power supply (with control circuit). The **5** terminal is designed to monitor the insulation level. The unit wiring diagram is shown below.

When the unit trips the load is de-energized by a break in the magnetic starter coil power circuit through the **N. C. 3-4 contacts**.

**Table 1 - The 1-2-3-4 output contacts specification**

	Max. current for ~ 250 V A. C.	Max. power	Max sustained safe voltage ~	Max. current for U = 30V D.C.
Cosφ = 0.4	3A	2000VA	460V	3A
Cosφ = 1.0	5A			

Nominal parameters and trip thresholds are set by front-panel screwdriver potentiometers.

**Nominal current setting.** Nominal current is set by № 1 potentiometer. There are eleven positions of the potentiometer. Each position corresponds to the specific standard nominal current scale value (see below Table of Nominal Currents). Each position is characterized by the specific number of blinks that the green «ON» LED makes. To set the nominal current one needs to bring out potentiometer control arm to a corresponding position; when the unit is energized the number of blinks «ON» LED must correspond to the Table below. One needs to take into account that there are «dead bands» between the positions where «ON» LED glows without blinks and where the nominal current is indefinite.

In order to set operating value which is different from the nominal one that is specified in the nominal current table, **it's recommended** the № 1 potentiometer to set to the position corresponding to the nearest value from the nominal current scale, and by the № 2 potentiometer one can increase or decrease the necessary value in % from the set value.

**Table 2 - Nominal current table**

Potentiometer №1 devisions	Nom. current, A	Green LED «On» blink
1	5	1bl.- pause
2	6,3	2bl.- pause
3	8	3bl.- pause
4	10	4bl.- pause
5	12.5	5bl.- pause
6	16	6bl.- pause
7	20	7bl.- pause
8	25	8bl.- pause
9	32	9bl.- pause
10	40	10bl.- pause
11	50	11bl.- pause

**NOTES:**

1. Continuous green «ON» LED glow means that the potentiometer is set in «dead band». One needs to set the potentiometer so as the green LED blinked and the number of blinks corresponded to the set nominal current.

2. Nominal currents setting is to be performed correcting for load connections (Wye/Delta), according to ratings of engine.

**Controls and adjustments**

The unit has seven independent controls. For user's convenience screwdriver slots of adjusting potentiometers are brought out to the unit front panel.

№1 – «In» - nominal current setting; there are eleven positions and each position corresponds to the specific current from the nominal currents table;

№2 – «% In» - operating current; it is set in ± 15 percent of nominal current, it has ten scale marks;

№3 – «T2» - overload trip delay when there is double overload for operating current set; in the central position T2 ≈ 58-60 seconds The minimum time delay is 10 seconds, the maximum time delay is 100 seconds. The control shifts current-time characteristic dependence along time axis;

№4 – «Un(%)» - combined control for Umax/Umin threshold in percent of the nominal voltage; according to this setting before the load energization the unit is checking the mains voltage level and, depending on its value, permits or forbids the load energization; after the load has been energized the voltage monitoring is going on but the load de-energization decision is made for currents;

№5 – «**PI%**» - trip threshold control for line voltage imbalance and **RMS** phase current imbalance; it has ten scale marks. The parameter is calculated as the difference between the maximum and the minimum values, in percent of the maximum value. If current imbalance percentage is twice as much as voltage imbalance percentage then it's supposed that the imbalance is induced by fault conditions inside the motor. The automatic reset is forbidden and the unit is disabled;

№6 – «**Imin(%In)**» - trip threshold control for the minimum operating current, in percent of operating current set. It has ten scale marks from 0% to 75%: in «0» position this control is off;

№7 – «**Ton**» - automatic reset delay, it is within 0 – 600 seconds range; the scale is logarithmic.

#### Indication

the green «**ON**» LED indicates that voltage exists in the mains. In the blink mode of glow the blink number between pauses corresponds to the specific nominal current from the nominal current table; there is a continuous glow in a «dead band». One needs to set a nominal current in the blink mode of operation;

the green «**Load**» LED indicates that the load is energized (the 3-4 terminals are closed);

the red «**Insulation**» LED lights up with continuous glow before the start if the stator/ power cable winding insulation level is abnormally low (less than 500 kOhms), and also during operation when there is a tripping for differential current; the unit is disabled;

the red «**Failure U**» LED glows when the mains voltage fault has occurred. The blink mode of operation switches on when there is undervoltage/overvoltage, phase imbalance for the mains voltage, voltage is not present on all three phases;

incorrect phase sequence or phase coincidence induces the mode of operation when all three red LEDs are blinking in turn;

the red «**Overload**» LED blinks when the average phase current exceeds the nominal one. After the unit has tripped for overload this LED comes to glow during 0.9 AR (automatic reset) delay.

#### 4 TECHNICAL BRIEF

Nominal line voltage, V	400
Mains frequency, Hz	45-55
Harmonical configuration (nonsinusoidality) of power supply voltage	EN 61000-3-2 (IEC 1000-3-2)
Nominal current range in UBZ-301 5-50, A	5-50
Operating current setting range, % of nominal	±15
Double overload delay adjustment range, sec	10-100
Voltage threshold adjustment range, % of nominal	±(5-20)
Phase imbalance adjustment range, %	5-20
Trip threshold adjustment range for the minimum current, % of nominal	0-75
Automatic reset delay adjustment range ( Ton), sec	0-600
First energization load delay when Ton= 0, sec	2-3
Trip delay for current overload	According to current-time characteristic curve
Trip delay for voltage fault, sec	2
Trip delay for current fault (overload excluded), sec	2
Fixed trip point for leakage current, A	0.5
Insulation resistance threshold, kOhms	500±20
Voltage hysteresis, V	10/17
Heat hysteresis, % of stored-up heat after load de-energization	33
Trip threshold accuracy for current, % of nominal current, not more than	2-3
Trip threshold accuracy for voltage, V, not more than	3
Phase imbalance accuracy, %, not more than	1.5
Operating voltage range, % of nominal one	50-150
Power consumption (under load), VA, not more than	3.0
Maximum switched current of output contacts, A	5
Output contact life: - under 5A load , operations, no less than - under 1A load , operations, no less than	100 000 1 000 000
Enclosure: - apparatus - terminal block	IP40 IP20
Operating temperature range, °C	from -35 to +55
Overvoltage category	III
Nominal voltage of isolation, V	450

Nominal impulse withstanding voltage, kV	4
Cross section of wires of connection terminals, mm <sup>2</sup>	0,5-2
Maximal tightening torque of terminals external screws, N*m	0,4
Allowable soil level	II
Weight, kg, not more than	0.200
Case dimensions 4 modules of S-type	
Mounting standard 35 mm DIN-rail	
Mounting position arbitrary	

**UBZ-301** complies with requirements IEC 60947-1, IEC 60947-6-2, CISPR 11, IEC 61000-4-2.

## 5 OPERATION

1. After supply voltage has been applied to the unit and before the output relay is energized the unit checks:

a stator winding insulation level to frame. If insulation resistance is below  $500 \pm 20$  kOhms, the load is not energized. The red «**Insulation**» LED glows;

the mains voltage quality, i. e. if voltage is present on all three phases, if the mains voltage is symmetrical, what the RMS line voltage value is like. When any of inhibit factors is present, the load is not energized, the red «**Failure U**» LED blinks;

a correct phase sequence, and phase «non-coincidence». When any of inhibit factors is present, the load is not energized, all red LEDs are blinking in turn; If all the parameters are normal, the outlet relay will be energized after  $T_{on}$  delay has expired (the 3-4 contacts are being closed and the 1-2 contacts are being opened) - the green «**Load**» LED glows. If load currents are absent (there are no less 2% of nominal one) the reason is that the load is de-energized. Voltage monitoring and insulation level is going. Output relay of unit is de-energized if inhibit factors are present in pause without currents;

2. After the load is energized the unit performs voltage and current monitoring. The decision on load de-energization is made according to the following factors:

RMS current exceeds the nominal (operating) current (set by №№ 1, 2, 3 potentiometers); if there is current overload without heat overload the red «**Overload**» LED blinks but the load is not de-energized. If current overload induces heat overload the load is de-energized. The red «**Overload**» LED glows and is ON during  $0.9T_{on}$ . The automatic reset is permitted;

current imbalance (set by №5 potentiometer) is twice exceeds the mains voltage imbalance; the load is de-energized, all red LEDs glow, the unit is disabled, the automatic reset is forbidden. To enable the unit one needs to remove supply voltage from the unit. It's supposed that this type of fault is induced by abnormal conditions inside the motor;

current imbalance (set by №5 potentiometer) is less than twice exceeds voltage imbalance; the load is de-energized, the red «**Failure U**» LED glows, the automatic reset is permitted;

current imbalance (set by №5 potentiometer) is less than voltage imbalance; the load is de-energized, the red «**Failure U**» LED blinks, the automatic reset is permitted;

the average current value is less than  $I_{min}$  (set by №6 potentiometer); the load is de-energized, all red LEDs blink simultaneously, the unit is disabled, the automatic reset is forbidden. To enable the unit one needs to remove the supply voltage from the unit.

### Electromotor protection against heat overload

The electromotor heat balance equation is being solved as the work advances. It's supposed that:

the motor was cold before start;

during operation the motor releases the heat which is proportional to the current square;

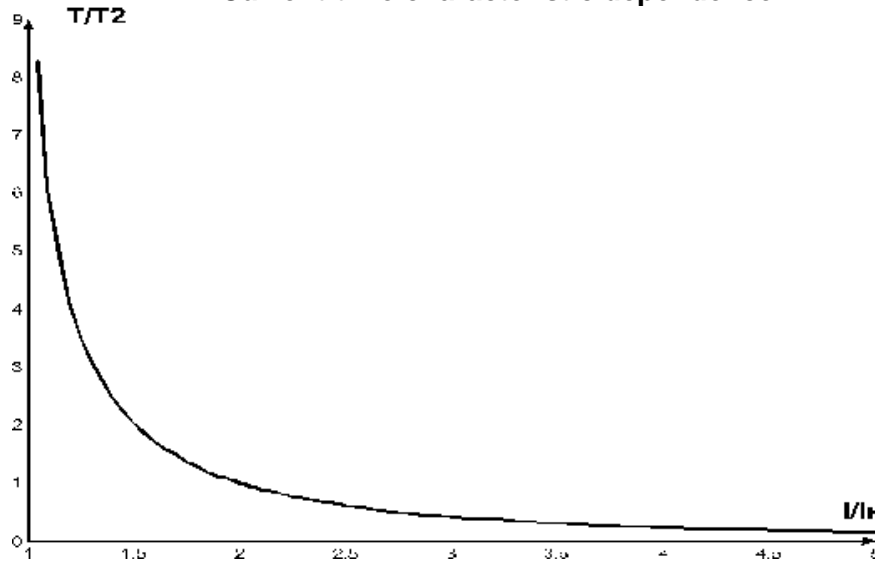
after the stop the motor cools down exponentially.

Below is the current-time characteristic curve with different  $T_2$  values (set by №3 potentiometer), where:

$I/I_n$  – current ratio relative to the nominal current;

$T/T_2$  -- actual trip delay relative to  $T_2$  (set by № 3 potentiometer).

### Current-time characteristic dependence



The current-time characteristic dependence shown in the tables below is given for the standard recommended T2 value (the №3 potentiometer middle position corresponds to 60 seconds when double overload occurs):

I/Inom	1.1	1.2	1.4	1.7	2	2.7	3	4	5	6	7	8	10	15
Tsec	365	247	148	88.6	60	36.4	24.6	13.5	8.5	5.9	4.3	3.3	2.1	0.9

After the load has been de-energized owing to the heat overload it will automatically be energized again:

- according to heat hysteresis if time delay **Ton**=0, i. e. the motor must cool down 33% of the stored up heat;
- according time delay **Ton** (№ 7 potentiometer) if **Ton** isn't equal 0.

By suitable selection of different Ton values, heat hysteresis considered, one can reduce number of starts per time unit because in the intermittent cycle the unit stores heat quantity released at the start of the motor.

### 6 PRELIMINARY STARTING PROCEDURE AND SERVICE MANUAL

The unit produced is completely ready for operation and needs no special pre-starting procedure measures. Owing to digital technology all the unit settings are aligned quite accurate, so no control devices are needed to adjust them. Use of the unit according to specifications above and the present service manual, continuous work included, relieves of preventive maintenance during service life. To put the unit in operation one must follow operating instructions given below:

1. To set nominal (operating) current, trip thresholds, trip delays and reset delay by potentiometer's contact arms.
2. To connect the unit according to the wire diagram given below:
  - by the **6(L1), 7(L2), 8(L3), 9(N)** terminals the unit is connected in parallel to the mains supply to be monitored;
  - two current transducers (each one of them is put on two power phase wires that carry the load) are connected to the **13, 14, 15, 16** terminals; in connecting one has to consider the transducers grading;
    - 1<sup>st</sup> transducer**– the beginning – the 13 terminal, the end – the 14 terminal;
    - 2<sup>nd</sup> transducer**– the beginning – the 15 terminal, the end – the 16 terminal;
  - a differential current transducer that is put on the three power phase wires must be connected to the **17, 18** terminals (the connection grading is unimportant);
  - the **5** insulation monitoring terminal is connected to one of the MS output contacts;
  - output contacts (the **3-4** terminals) are connected to the MS coil power supply circuit (control circuit);
  - the BO-01 exchange and date transfer unit is connected to the **10, 11, 12** terminals (this unit is supplied on order).

3. To apply a voltage to the unit. The correct setting of nominal current is checked by the number of blinks that the green LED makes. After **Ton** has expired (if there are no factors that can forbid energizing) the output relay of the unit is energized. If **Ton**=0, the first energizing will occur after 2-3 sec delay has expired.

**NOTE** - The unit must be connected subject to the safety regulations. To set settings is recommended in «off» state. To set settings alive is permitted in the test conditions subject to the safety regulations.

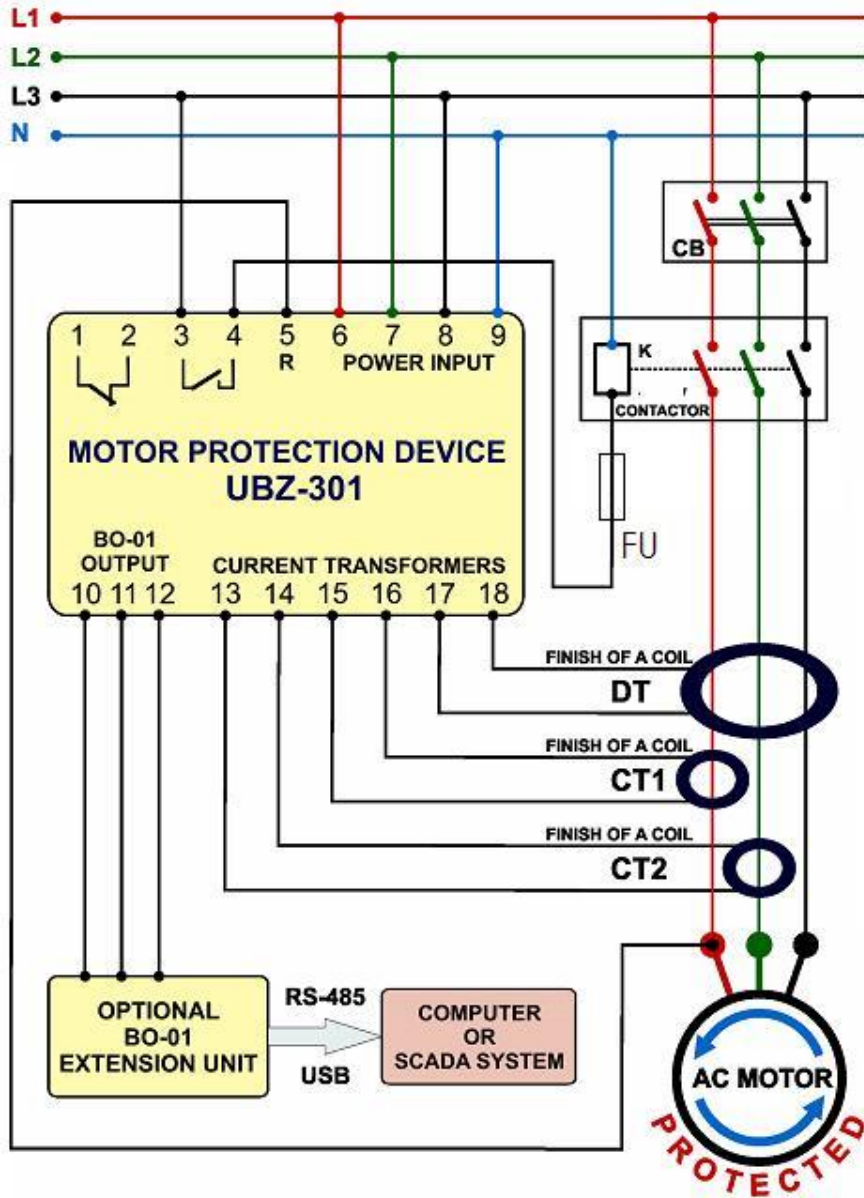
**ATTENTION!** If immediately after the load has been energized the unit de-energizes it and disables it for current imbalance, the incorrect polarity of the current transducers TT1 or TT2 connection may be a reason. Then it's recommended to change one of the transducers connection by

reversing the places “the beginning- the end” of the 13-16 terminals. If the effect pointed above repeats when the load is re-energized it means that the transducers were connected correctly and the imbalance arose from EM and/or power cable fault.

**NOTES:**

- 1 Transducers are mounted by plastic clamps (they are component parts of supplies).
- 2 The phase wires which are passing through the differential transducer to try to symmetrize in the center of the transducer.

**WIRING DIAGRAM**



**DT**–differential current transducer (differential current transformer);

**CT1,CT2**–current--transducers;

**BO-01**– exchange and date transfer unit (on order)

**FU** – fuse 6,3 A

**NOTE:**

- 1 “**START**”-button and “**STOP**”-button can be connected to MSC power supply circuit if necessary;
- 2 The 230/240V MSC connection is shown here. The 400 V MSC power supply circuit is analogous, coil power is applied from different phases through the 3-4 contacts;
- 3 If BO-01 is absent the 10, 11, 12 terminals are not used.

**7 STORAGE AND SHIPPING CONDITIONS**

The unit in manufacturer package should be stored in enclosed rooms at –45 to +60 °C and exposed to no more than 80% of relative humidity when there are no fumes in the air that exert a deleterious effect on package and the unit material. The Buyer must provide the protection of the unit against mechanical damages in transit.

## **8 WARRANTY AND CLAIMS CONDITIONS**

Service life is 10 years. Refer to the manufacturer upon the expire of the service life

Warranty period is 5 years upon the day of sale.

The manufacturer shall repair the unit, in the compliance with the operating manual by the user, within the warranty period.

UBZ-301 (5-50A) is not subject to the warranty service in the following cases:

expiry of the warranty period

availability of mechanical damages

traces of moisture attack or in the presence of foreign items inside the unit

attempts to open and repair

damage is caused by electric current or voltage in excess to the permissible values as indicated in the Operating manual.

Warranty service is provided in the place of purchase

Post-warranty service shall be provided by the manufacturer.

The manufacturer's warranty does not cover compensation for direct or indirect losses associated with the unit transportation to the place of purchase or manufacturer's plant.

Earnest request: indicate the reason for return in the notice of faults field at the return of the device or in case of submitting for warranty service or post-warranty service.

## **9 QUALITY ASSURANCE NOTES**

The UBZ-301 (5-50A) universal induction motor protection unit was inspected and approved for the safe operation and use by the quality assurance department.